

# mod. 210

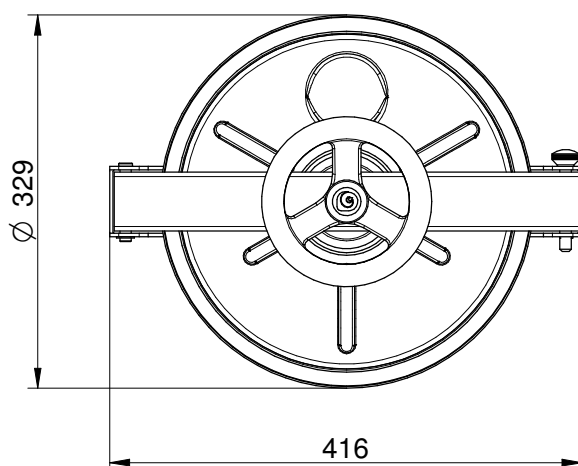
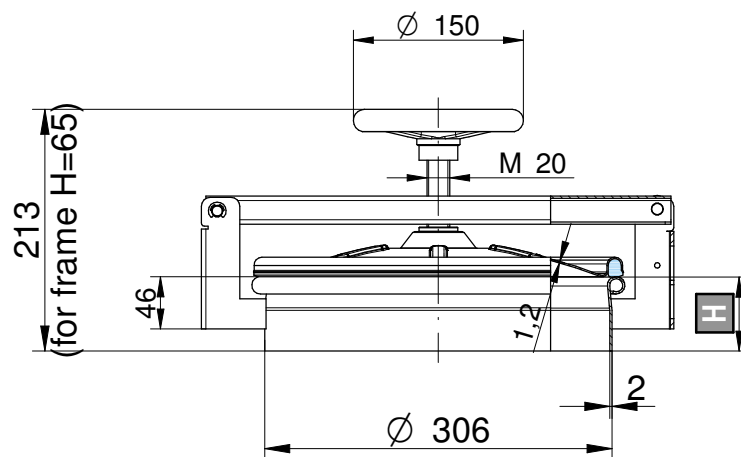
«Нано-Стил»

[www.nano-steel.ru](http://www.nano-steel.ru)

[info@nano-steel.ru](mailto:info@nano-steel.ru)

Офис: +7 495 401-69-11

Моб: +7 964 711- 16 54



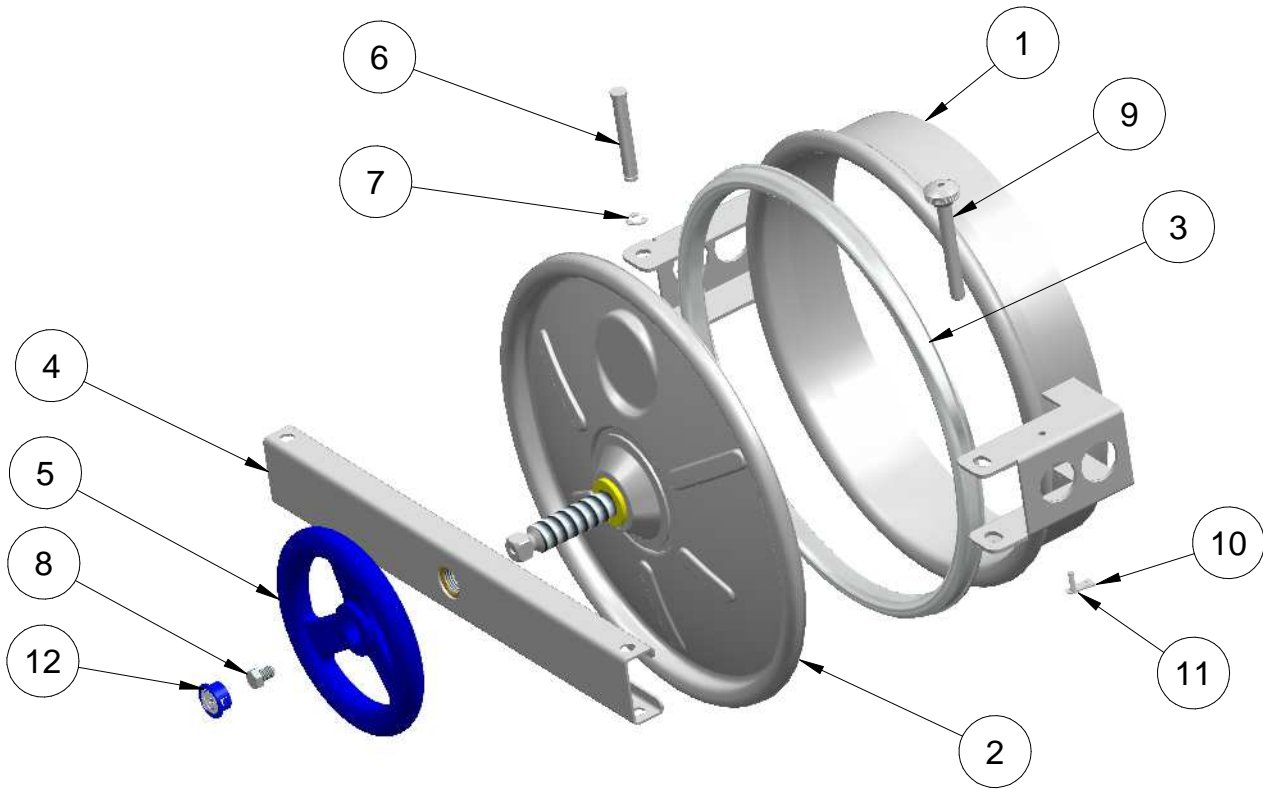
**H** Frame height

Mod.	H (mm)	P. max (bar)	Weight (Kg)
210	65	0 / 0,2	3,6
211	100	0 / 0,2	4,0
212	150	0 / 0,2	4,6
213	200	0 / 0,2	5,1

**MATERIAL: AISI 304L-14307 / AISI 316L-14404**

Caratteristiche tecniche, pesi e prestazioni non sono vincolanti ed impegnativi. La Società si riserva inoltre di apportare ai prodotti le modifiche ritenute più opportune, senza alcun obbligo di preavviso.

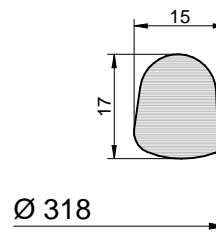
Technical features, weights and performances are non-binding. The Company also reserves the right to make the appropriate changes to the products, without obligation of notice.



STANDARD PARTS			
Item	Article No.	Designation	Qty.
1	7TA1600	FRAME WITH SUPPORTS	1
2	7CA1600	COVER	1
3	9647...	GASKET G/TR300	1
4	71023	ARM	1
5	94085	HANDLE MEC/150	1
6	93004	PIN §10X70	1
7	95420	CIRCLIP §8	1
8	95002	SCREW M8X25	1
9	93030	PIN §10X90	1
10	82018	BRACKET FOR RIVET	1
11	95401	RIVET §5X14	1
12	97307	BLU CAP	1

«Нано-Стил»  
[www.nano-steel.ru](http://www.nano-steel.ru)  
[info@nano-steel.ru](mailto:info@nano-steel.ru)  
 Офис: +7 495 401-69-11  
 Моб: +7 964 711- 16 54

NEW GASKET (starting from October 2010)			
Article No.	Material	COLOR	Temperature
96470	NBR	WHITE	-30° / 110°C
96471	EPDM	GREY	-15° / 90°C
96475	SILICON	CLEAR WHITE	-50° / 200°C
96476	FKM	BLACK	-10° / 250°C



OLD GASKET (unitil September 2010)			
Article No.	Material	COLOR	Temperature
96160	NBR	WHITE	-30° / 110°C
96161	EPDM	GREY	-15° / 90°C
96165	SILICON	CLEAR WHITE	-50° / 200°C
96166	FKM	BLACK	-10° / 250°C

